

GLASS & DISHWASHERS AND
PASS-THROUGH UNITS

Prime Line

Primed To Clean.





DEPENDABLE, DURABLE AND READY TO CLEAN.

Developing equipment that can handle the rigours of high pressure hospitality operations has always been our focus, but **we also emphasize the importance of adaptability and allowing you to configure each unit to your specific needs.**

That means adding features to enhance your cleaning properties or saving on those that are considered unnecessary for your operation.

You get exactly what you need in your washing system while toeing the budgetary line.



PRIME LINE

A complete range: **glasswashers, undercounter dishwasher in single and double rack execution, bottle washer and dishwasher 2 in 1 and Pass-through units.**

Highly durable and adaptable to the specific needs of today's food service professionals.



PB

Glasswasher
400 x 400 mm rack /
Ø 375 mm rack,
220/280 mm clearance



PF

Multipower Frontloader
dishwasher
500 x 500 mm rack,
360 mm clearance



PF DR

Multipower Frontloader
dishwasher
2x 500 x 500 mm double rack
execution,
360 (200+160) mm clearance



PF R B-GREEN

Multipower Bottle washer and dishwasher 2 in 1,
500 x 500 mm rack (PF45 R B-GREEN),
500 x 600 mm rack (PF46 R B-GREEN),
360 mm clearance (PF45 R B-GREEN),
400 mm clearance (PF46 R B-GREEN)



PC

Multipower (PC07) and
Multivoltage (PC09- PC12)
Pass-through Units
500x500 mm rack,
440 mm clearance



BUSINESS AREAS

HO.RE.CA



PUB, BAR & BISTROTS



PASTRIES & BAKERIES



ICE-CREAM SHOPS



CHILDCARE & SMALL CANTEENS



With the Prime Line you can wash up to **65 racks/h.***
Simple to use and easy to maintain.

* PC12 Pass-through unit



FEATURES

DURABILITY

- **Single skin body** in AISI 304
- **Molded** double skin insulated door
- **Rear panelling** (*undercounter units*)







FLEXIBILITY

- **Multipower** solutions (PF and PC07)
- Hood activated cycle start and manual cycle start
- **Provision for drain pump**
- **Soft Start:** The cycle starts slowly and gradually builds to full speed to prevent the dislodging of light items like glassware and crockery and consequently breakage PB-PF-PC07
- Fast programming of the control panel upon installation to establish **specific times, temperatures and detergent requirements.**
- **Built-in detergent and rinse-aid dosing pumps.** (*undercounter units*)

HYGIENE

- **Single piece deep drawn tank**
- **Multiple filtration system:** whole tank filter and pump suction filter (*undercounter units*)
- **4 removable stainless steel surface filters and pump suction filter for easy everyday cleaning operations** (*pass-through units*)
- **Self-cleaning cycle at unit switch-off**
- **Wire rounded rack guides:** no blind spots during operations

-  Initial tank fill
-  Ready to go
-  Cycle on
-  Alarm



SAFETY

- **Magnetic microswitch** to stop the cycle in case of accidental door opening
- **Adjustable Thermostop as a standard:** it ensures that the correct operating temperatures are reached
- **Temperature measurement** via electronic probes: accuracy and reliability. Allows the operator to read the real and the set point temperatures on the display.

POWER AT YOUR FINGERTIPS

- Display with temperature indicators;
- **4 programming options for washing cycles** (Eco fast, Glasses, Dishes, Intensive)
- **Diagnostics with alphanumeric alarm codes;**
- **Cycle progress** with alphanumeric countdown;
- **Cycle and performance counter:** allows for plan maintenance. Useful for statistics and usage information.
- **Colour-coded status indicators.**



FEATURES

STANDARD

WRIS®2+ WASH AND RINSE INTEGRATED SYSTEM

The WRIS®2+ posts a 25% reduction in rinse water consumption while still providing a thorough, consistent clean.

Reducing operating expenses while washing efficiently: **27.302 l of water saved per unit per year compared to standard systems.**

Thanks to the double water blade design, the WRIS®2+ boosts contact time and leaves no blind spots as it produces brilliantly clean glasses, dishes and cutlery.

Removable side caps

Quick release system

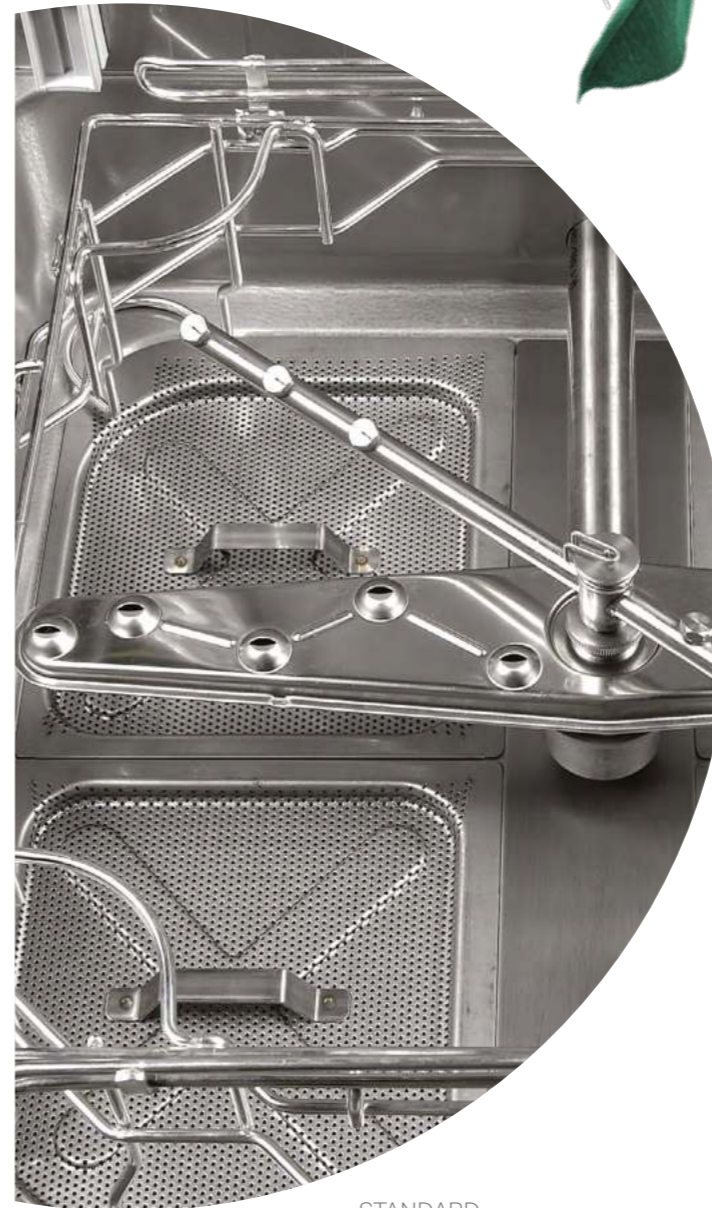
Removable bayonet rinse nozzles



-25%

- water
- energy
- chemicals

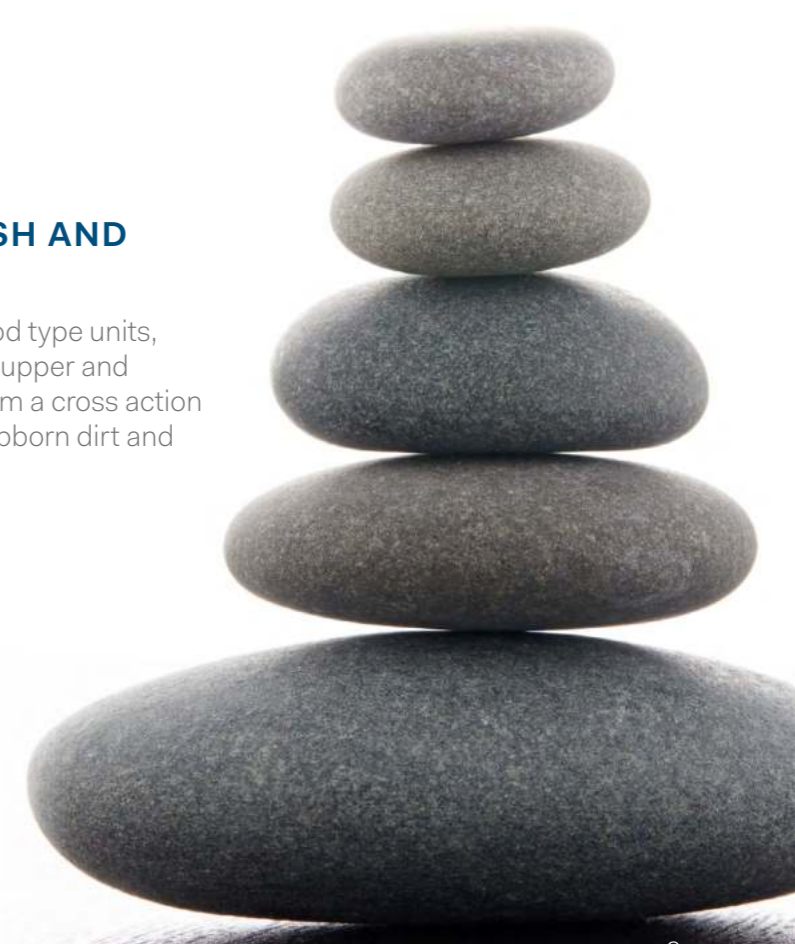
Standard for PB - PF and PC07 models



STANDARD

STAINLESS STEEL WASH AND RINSE SYSTEM

Standard for PC09 and PC12 hood type units, Comenda stainless steel rotating upper and lower wash and rinse arms perform a cross action that eliminates even the most stubborn dirt and guarantees outstanding results.





COMPLETE YOUR UNITS

OPTIONAL

CRC2 - HEAT RECOVERY SYSTEM



Available as an option for hood type models, CRC2 enables the machine **to be connected to cold water at 15°C booster.**

CRC2 allows for consistent energy savings.


Minimizing the steam released, CRC2 helps create a more comfortable work environment.

Ventless Execution.



 Comenda CRC2 heat recovery system allows a reduction on the energy normally used to heat incoming water **up to 35%** 



-35%
energy




COMPLETE YOUR UNITS

OPTIONAL

RCD - RINSE CONTROL DEVICE

The RCD System, available for PF and PC models, maintains constant water pressure and temperature throughout operations.

The highest levels of hygiene and sanitisation are achieved through high washing and rinsing temperatures along with contact times in line with the EN 17735 standards.

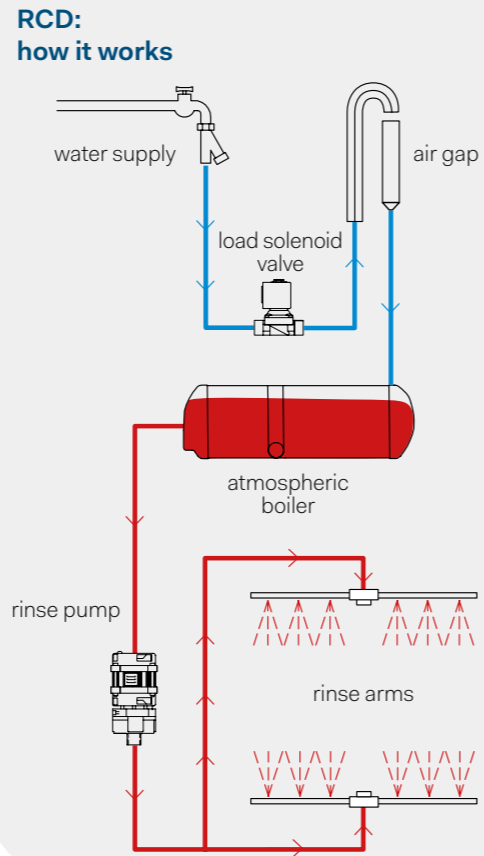
OPTIONAL

WATER TREATMENT

Comenda water softeners can prove invaluable to your operation. They soften water prior to the washing cycle to reduce limescale build up that can blemish glasses, dishes and cutlery. They also contribute to streamlining your operations and saving on long term equipment costs.

Discover Comenda Prime Line models with built-in water softeners**.

- * "R" executions with integrated RCD - Rinse Control Device system. Not available for PB models.
- ** "A" executions with built-in water softener. B-GREEN models are available with External Water softener only.



OPTIONAL

COLD RINSE EXECUTION

Cold and sanitized glasses, ready for your perfect beer!

To serve a glass of beer with a large, creamy and compact head of foam, the first rule is to have a glass strictly cold!

PB34 glasswasher (400x400 mm rack) and **PF45 undercounter model** (500x500 mm rack) are also available with a cold rinse programme as an option which allows you to use glasses as soon as the rinse cycle is finished.

Cold glasses always ready to use and less steam released at the end of the cycle!

OPTIONAL

DOUBLE RACK EXECUTION

The more the crockery, the lower the costs! Comenda PF45 R DRD model optimize the whole washing capacity by **sanitizing two racks per cycle, with the same sparkling results.**

Discover also the new inclined insert that improves washing and rinsing cycles by draining water thus avoiding deposits.





B-GREEN: DISHWASHER & BOTTLE WASHER: 2 IN 1

The new Comenda PF45 R and PF46 R B-Green executions offer an efficient solution to clean refillable bottles and carafes.

Durable and reliable B-Green are designed to satisfy multiple washing needs during service.

Thanks to the Comenda innovative B-Green rack, with quick-coupling hooks included, you can load the machines with a single gesture!



Supporting operators going plastic free by moving from a single-use plastic bottles consumer role to a zero-waste ambassador.

The practical sensing probes will activate a separate hydraulic circuit, allowing the automatic selection of the dedicated programme, for perfect cleaning of your bottles and jugs!

Just remove the bottle rack and use one of the many standard 500 x 500 mm - 500 x 600 mm racks to wash dishes, glasses, cutlery and kitchen utensils.

**YOU CAN WASH UP TO
16 BOTTLES OR 9 JUGS
FOR CYCLE!**





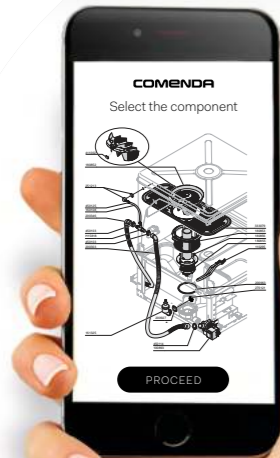
AT YOUR SIDE SINCE 1963

As the spring board company of Ali Group, Comenda offers professional washing machines rigorously **"Made in Italy"**, according to the highest quality standards.

Comenda solutions range from small-sized cup and glass washers for bars to large, automated, continuous feed systems for restaurants, hospitals, canteens and inflight catering.

Our operational flexibility allows us to supply **tailor-made systems**, designed to meet individual space and operation requirements, without any limits on processing capacity, **granting the highest standards of hygiene.**

Championing exceptional performance, cost containment and highly energy efficient design since 1963.



ORIGINAL SPARE PARTS: JUST ONE CLICK AWAY!

You can order directly from our website and check real-time parts availability, **24h a day and 7 days a week.**

On our website you can: **access and download** technical documentation on our machines (product manuals and detailed electrical and hydraulic schematics); find answers to the most frequently asked questions and **watch Comenda video tutorials.**



SPEED. SERVICE. SOLUTIONS.



There's no time for downtime in your operation. That's why our products are designed to facilitate quick turnarounds and replacements.

Comenda ensures rapid response and complete client service.

Our extensive network of distributors and service providers are ready to assist when in need.



NEVER STOP TRAINING

To support the ongoing training of our distributor and service network, we encourage our partners to attend our in-house, hands-on seminars. Ask our team for specific onsite training for operators and staff.





TECHNICAL DATA

PB

Glasswashers



	PB 24*	PB 24 A*	PB 34	PB 34 A*	PB 34 R*
EXTERNAL DIMENSIONS (AxBxC) (mm)	460 x 521 x 613	460 x 521 x 613	460 x 521 x 698	460 x 521 x 698	460 x 521 x 698
OVERALL SIZE (D) (mm)	791	791	851	851	851
RACK SIZE (mm)	400 x 400	400 x 400	400 x 400	400 x 400	400 x 400
CLEARANCE (E) (mm)	220	220	280	280	280
ELECTRICAL SUPPLY (V)	230V ~ 50Hz	230V ~ 50Hz	230V ~ 50Hz	230V ~ 50Hz	230V ~ 50Hz
PROGRAM LENGHT (sec)	90/90/120/240	90/90/120/240	90/90/120/240	90/90/120/240	90/90/120/240
OUTPUT RACKS (rack/h)	25/25/25/15* 11/11/11/11*	15/15/15/15* 11/11/11/11*	25/25/25/15* 11/11/11/11*	15/15/15/15* 11/11/11/11*	25/25/25/15* 11/11/11/11*
RINSE WATER CONSUMPTION (l/cycle)	2,5	2,5	2,5	2,5	2,5
TANK HEATER ELEMENTS (kW)	2	2	2	2	2
BOOSTER HEATER (kW)	2,4	2,4	2,4	2,4	2,4
TANK SIZE (l)	12	12	12	12	12
WASH PUMP (kW)	0,26	0,26	0,26	0,26	0,26
INSTALLED LOAD (kW)	2,66	2,66	2,66	2,66	2,66

- With RCD
- With built-in water softener
- Output racks - cold water connection (15 °C)
- Output racks - hot water connection (55 °C)
- Output racks - hot water connection (35 °C)

OPTIONAL

- Provision for peak power reduction connection
- Drain pump kit
- Special voltages
- External water softener

The following non-binding information refers to the ideal operating conditions of the machines. The values indicated may vary depending on the installation conditions and the items washed: the operator is responsible for selecting the correct washing cycle and speed according to the amount of dirt on the dishes, based on the washing and rinsing results achieved and to be obtained. Depending on local conditions (incoming water temperature / power supply), the values indicated here may be modified. The actual rinse water volume may vary according to local conditions. Comenda Ali Group srl reserves the right to modify product specifications at any time without prior notice.

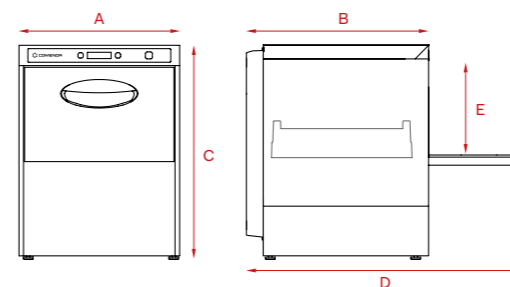


TECHNICAL DRAWING

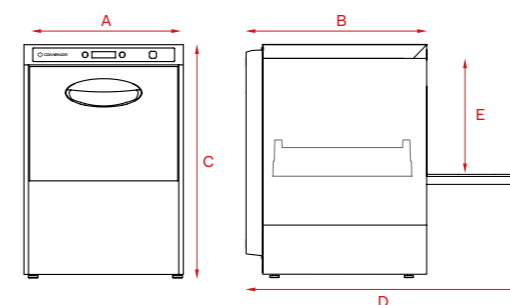
PB

Glasswashers

PB 24



PB 34





TECHNICAL DATA

PF

Undercounter units



	PF 45 PF 45 R*	PF 45 RA**	PF 45 R DR*	PF 45 RA DR**	PF 45 R B-GREEN*	PF 46 R B-GREEN*
EXTERNAL DIMENSIONS (AxBxC) (mm)	600 x 605 x 820	600 x 605 x 820	600 x 605 x 820	600 x 605 x 820	600 x 605 x 820	600 x 695 x 830
OVERALL SIZE (D) (mm)	1015	1015	1015	1015	1015	1150
RACK SIZE (mm)	500 x 500	500 x 500	2x 500 x 500	2x 500 x 500	500 x 500	500 x 600
CLEARANCE (E) (mm)	360	360	360 (200 + 160)	360 (200 + 160)	360	400
ELECTRICAL SUPPLY (V)	230V ~ 50Hz 230V/3 ~ 50Hz 400V/3N ~ 50Hz	230V ~ 50Hz 230V/3 ~ 50Hz 400V/3N ~ 50Hz	230V ~ 50Hz 230V/3 ~ 50Hz 400V/3N ~ 50Hz	230V ~ 50Hz 230V/3 ~ 50Hz 400V/3N ~ 50Hz	230V ~ 50Hz 230V/3 ~ 50Hz 400V/3N ~ 50Hz	230V ~ 50Hz 230V/3 ~ 50Hz 400V/3N ~ 50Hz
PROGRAM LENGHT (sec)	90/90/120/240	90/90/120/240	90/90/120/240	90/90/120/240	90/90/120/260*	120/180/240/260*
OUTPUT RACKS (rack/h)	40/40/30/15* 23/23/23/15*	27/27/27/15* 23/23/23/15*	55/55/55/30* 27/27/27/27*	36/36/36/30* 27/27/27/27*	40/40/30/14** 32/32/30/14**	30/20/15/14** 23/20/15/14**
RINSE WATER CONSUMPTION (l/cycle)	2,5	2,5	4	4	2,5	3,5
TANK HEATER ELEMENTS (kW)	2	2	2	2	2	2
BOOSTER HEATER (kW)	5	5	5	5	7	7
TANK SIZE (l)	21	21	21	21	21	23
WASH PUMP (kW)	0,45	0,45	0,45	0,45	0,45	0,83
INSTALLED LOAD (kW)	5,45	5,45	5,45	5,45	7,45	7,83

- * With RCD
- With built-in water softener
- Output racks - cold water connection (15 °C)
- Output racks - hot water connection (55 °C)
- Output racks - hot water connection (35 °C)
- * Water bottles and jugs dedicated cycle

OPTIONAL

- Provision for peak power reduction connection
- Drain pump kit
- Special voltages
- External water softener
- 7 kW booster
- Base stand with door
- Stand feet kit for base stand
- Upper rack holder for PF45 (875 h mm)

The following non-binding information refers to the ideal operating conditions of the machines. The values indicated may vary depending on the installation conditions and the items washed: the operator is responsible for selecting the correct washing cycle and speed according to the amount of dirt on the dishes, based on the washing and rinsing results achieved and to be obtained. Depending on local conditions (incoming water temperature / power supply), the values indicated here may be modified. The actual rinse water volume may vary according to local conditions. Comenda Ali Group srl reserves the right to modify product specifications at any time without prior notice.

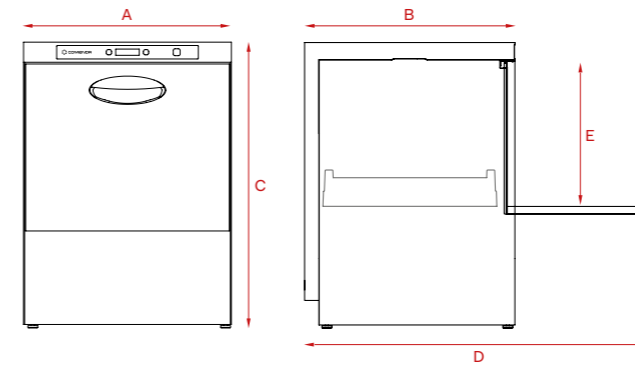


TECHNICAL DRAWING

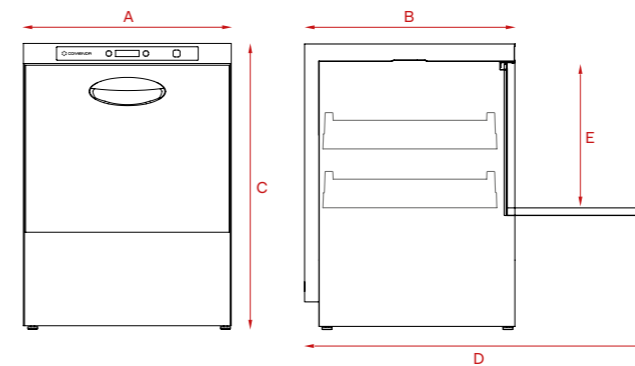
PF

Undercounter units

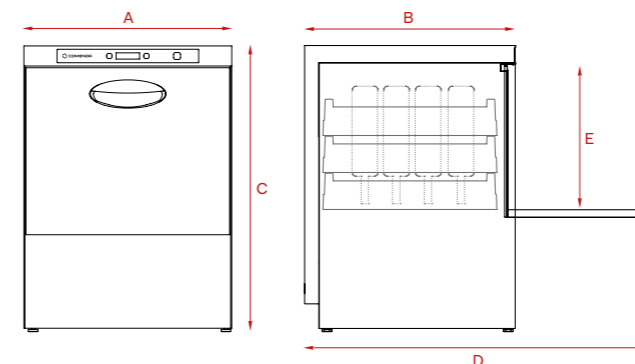
PF 45



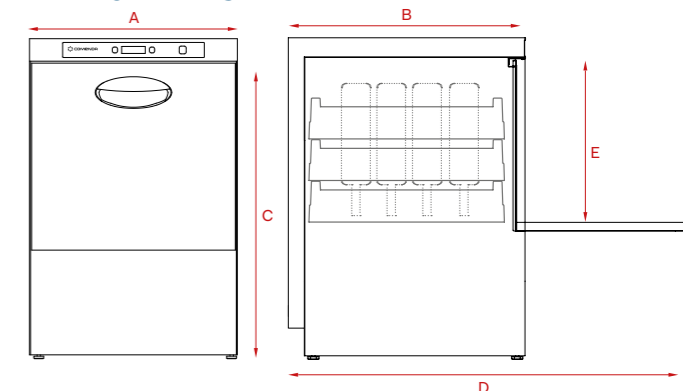
PF 45 R DR



PF 45 R B-GREEN



PF 46 R B-GREEN





TECHNICAL DATA

PC

Hood type dishwasher



	PC 07/PC 07 R* PC 07 RA**	PC 09/PC 09 R* PC 09 RA**	PC 12/PC 12 R* PC 12 RA**
EXTERNAL DIMENSIONS (AxBxC) (mm)	625 x 740 x 1460	625 x 740 x 1460	625 x 740 x 1460
OVERALL SIZE (D) (mm)	1960	1960	1960
RACK SIZE (mm)	500 x 500	500 x 500	500 x 500
CLEARANCE (E) (mm)	440	440	440
ELECTRICAL SUPPLY (V)	230V - 50Hz 230V/3 - 50Hz 400V/3N - 50Hz	230V/3 - 50Hz 400V/3N - 50Hz	230V/3 - 50Hz 400V/3N - 50Hz
PROGRAM LENGHT (sec)	90/90/120/240	75/90/120/240	55/90/120/240
OUTPUT RACKS (rack/h)	40/40/30/15* 32/32/30/15*	48/40/30/15* 41/40/30/15*	65/40/30/15* 41/40/30/15*
	36/36/30/15* 32/32/30/15*	43/40/30/15* 41/40/30/15*	65/40/30/15* 41/40/30/15*
RINSE WATER CONSUMPTION (l/cycle)	2,5	2,8	2,8
TANK HEATER ELEMENTS (kW)	2,2	3	3
BOOSTER HEATER (kW)	7	9	9
TANK SIZE (l)	42	42	42
WASH PUMP (kW)	0,7	1,1	1,5
INSTALLED LOAD (kW)	7,7	10,1	10,15

- * With RCD
- ** With built-in water softener
- * Output racks - cold water connection (15 °C)
- * Output racks - hot water connection (55 °C)
- * Output racks - hot water connection (35 °C)

SPACE SAVING

CRC2 footprint is the same as the overall size of the unit.
No need for additional space in your ware washing area!
625 x 740 x 1894(F) mm!

OPTIONAL

- Provision for peak power reduction connection
- Drain pump kit
- Special voltages
- External water softener
- 9 kW booster
- Detergent level probe kit
- Entry and exit table
- Double skin insulated hood

The following non-binding information refers to the ideal operating conditions of the machines. The values indicated may vary depending on the installation conditions and the items washed: the operator is responsible for selecting the correct washing cycle and speed according to the amount of dirt on the dishes, based on the washing and rinsing results achieved and to be obtained. Depending on local conditions (incoming water temperature / power supply), the values indicated here may be modified. The actual rinse water volume may vary according to local conditions. Comenda Ali Group srl reserves the right to modify product specifications at any time without prior notice.

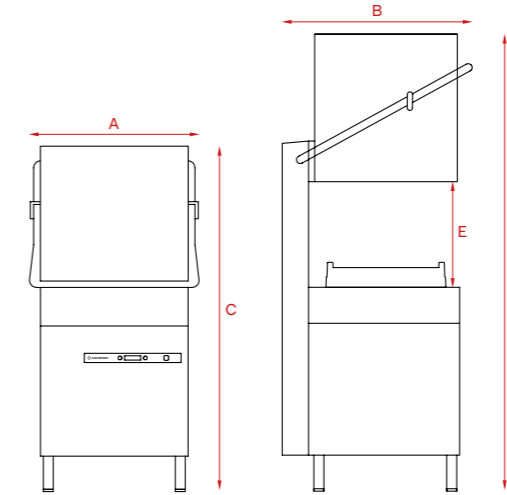


TECHNICAL DRAWING

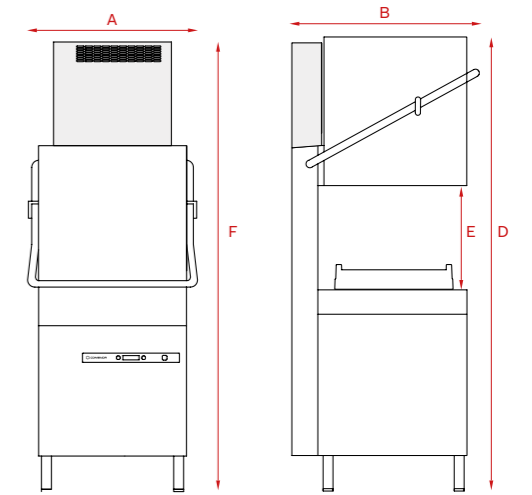
PF

Hood type dishwasher

PC 07 / PC 09 / PC 12



PC CRC2



+ EXECUTION



Prime Line also available in the "+" execution with built-in drain pump and dosing pumps.
(PB, PF e PC)

MULTIPURPOSE FRONT-LOADING UTENSIL WASHERS.



Discover PF46R and PFS90R models with 500x600mm racks, higher clearances and Wi-Fi connectivity as an option. Compact and powerful, they offer a great washing capacity to face even the most aggressive dirt.

CONTACTS

Comenda Ali Group

Via Galileo Galilei 8
20051 Cassina de' Pecchi (MI)

Italia

T +39 02 952281

sales@comenda.eu

www.comenda.eu



Azienda con sistema di gestione qualità/ambiente certificato
secondo le norme ISO9001 e ISO14001:2015.

*Comenda complies with ISO9001 quality management system
and ISO14001:2015 environmental management system.*

Cod. 90002011122 - Con riserva di variazione delle caratteristiche tecniche. Foto non vincolanti.



an Ali Group Company



The Spirit of Excellence